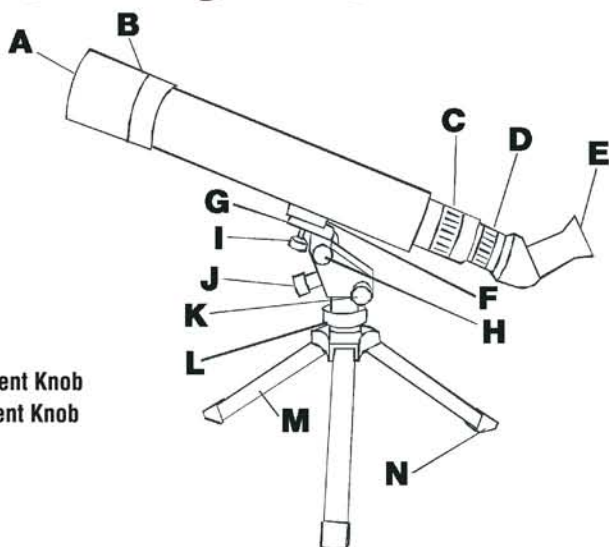


Vectra 20-60x60 Spotting Scope

Instructions

- A. Sunshade
- B. Objective Lens
- C. Focus Ring
- D. Zoom Ring
- E. Eyepiece
- F. Mounting Shoe
- G. Mounting Platform
- H. Elevation Clamp Knob
- I. Speed Nut
- J. Micro Elevation Adjustment Knob
- K. Micro Windage Adjustment Knob
- L. Shaft Clamp Ring
- M. Tripod Leg
- N. Rubber Tipped Feet



1. Spread tripod legs (M) and set as level and firm a support as possible.
2. Place spotting scope mounting shoe (F) on mounting platform (G).
3. Lock scope tightly to tripod with tri-corner speed nut (I) of tripod.
4. To adjust tripod to a comfortable height, loosen the shaft clamp ring (L) by turning it counter clockwise and lift the scope up to the desired height and direction. Lock it in place by turning the shaft clamp ring clockwise.
5. Loosen the elevation clamp knob (H) counter clockwise. Adjust the elevation of the scope up or down to the desired position. Tighten the elevation clamp knob by turning it clockwise.
6. View the desired object through the eyepiece (E) and rotate the focus knob (C) until the desired subject is sharp.
7. Zoom in or zoom out by rotating the zoom knob (D).
8. It may be necessary to refocus may after zooming.
9. Rotating the micro-elevation knob (J) will move the scope slightly up or down. Rotating the micro-windage knob (K) will move the scope left or right.

Instructions for Care

Your PROMASTER spotting scope will provide years of trouble-free service if it receives the normal care you would give any fine optical instrument. Non-waterproof models should not be exposed to excessive moisture.

1. Avoid banging and dropping.
2. Store in a cool, dry place.

Cleaning

1. Blow away any dust or debris on the lens (or use a PROMASTER lens pen).
2. To remove dirt or finger prints, clean with a "microfiber" cleaning cloth like the PROMASTER SoftClean or MicroClean soft cleaning cloth. Rub lightly in a circular motion. Use of a coarse cloth or unnecessary rubbing may scratch the lens surface and eventually cause permanent damage.
3. For a more thorough cleaning, photographic-type lens cleaning fluid like PROMASTER OpticClean may be used. Always apply the fluid to the cleaning cloth ~ never directly on the lens.

CAUTION: Do not view the sun with this product or with the naked eye. Viewing the sun can cause permanent eye damage.